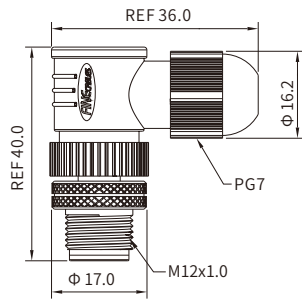


M12 A-coding (Sensor and Actuator)

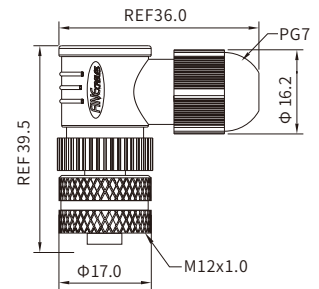


M12 A-coding Angled Connector, Field Wirable Assembly, Solder

Male



Female



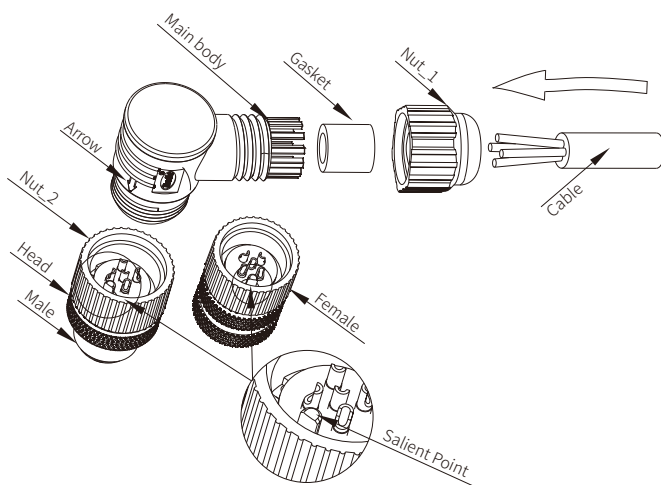
Specifications

Contacts	3	4	5	8
Pin layout(Male)				
Pin layout(Female)				
Standard	IEC 61076-2-101			
Ambient temperature	-25°C~+90°C			
Connector insert	TPU			
Connector contacts	Brass with gold plated			
Connector body	PA			
Coupling nut/screw	Brass with nickel plated			
Seal/O-ring	FKM			
Insulation resistance	≥100MΩ			
Contact resistance	≤5mΩ			
Shielding	Unavailable			
Suitable cable Dia	4~5.5mm			
IP rating	IP67, IP68 in locked condition			
Mating endurance	>500 cycles			
Rated current	4 A			2A
Rated voltage	250V AC/DC		60V AC/DC	30V AC/DC
Wire gauge	0.34mm ² (AWG22)			0.25mm ² (AWG24)

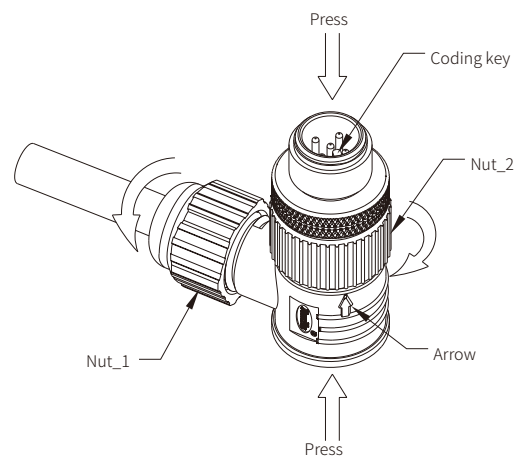
Part Number

Pins	Male	Female
3	MB12MAAFF03RA	MB12FAAFF03RA
4	MB12MAAFF04RA	MB12FAAFF04RA
5	MB12MAAFF05RA	MB12FAAFF05RA
8	MB12MAAFF08RA	MB12FAAFF08RA

Assembly Instruction



Picture 1



Picture 2